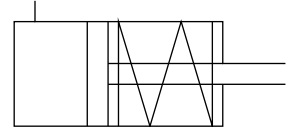
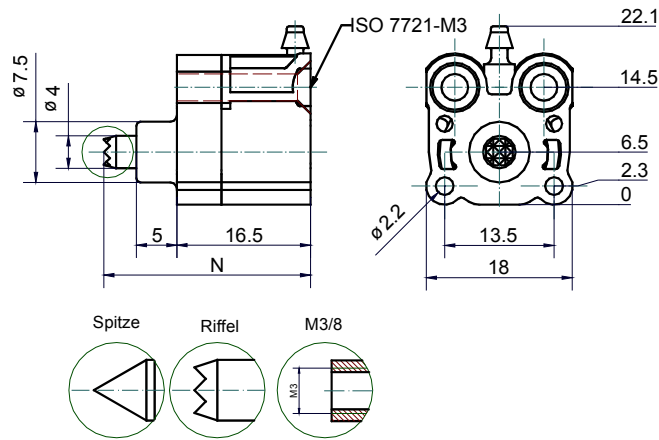


Compact cylinder 12mm diameter

technopolymer

type AA12S-04-.. , single acting



SPECIFICATION	
general	
construction	compact cylinder, single acting, spring return
bore	12mm piston diameter
stroke lengths	4mm
operation	pneumatic
return	mechanical spring
connections	hose tails for PA or PU with 2mm ID
ambient temperature	-20°C to +60°C
fluid temperature	-20°C to +60°C
materials	body: thermoplastic cover: thermoplastic piston: brass (Ms58) piston rod: stainless steel springs: steel seals: perbunan (NBR)
cushioning	none
mounting	fixing holes in body
installation position	as required
magnetic sensor	non
pneumatic	
air	filtered, lubricated or non lubricated
pressure range	3 to 8 bar
attainable force	39 N at 6 bar
spring return force	F1= 12 N, F2= 24 N (friction not taken into account)

type	article-nr.	piston rod	N	weight (approx. g)
AA12S-04-SK	90 000 380	pointed short	21.5	8
AA12S-04-SL	90 000 381	pointed long	25.5	9
AA12S-04-RK	90 000 378	serrated short	21.5	8
AA12S-04-RL	90 000 379	serrated long	25.5	9
AA12S-04-M3	90 000 382	M3 female thread	22.5	8

NB: It is not possible to handle heavy external objects with this product type