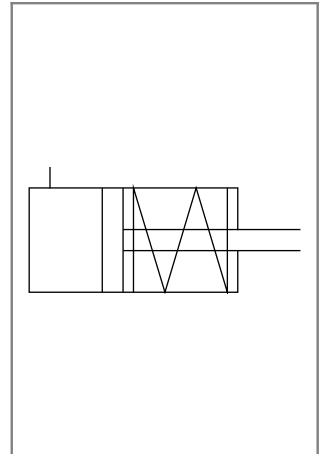
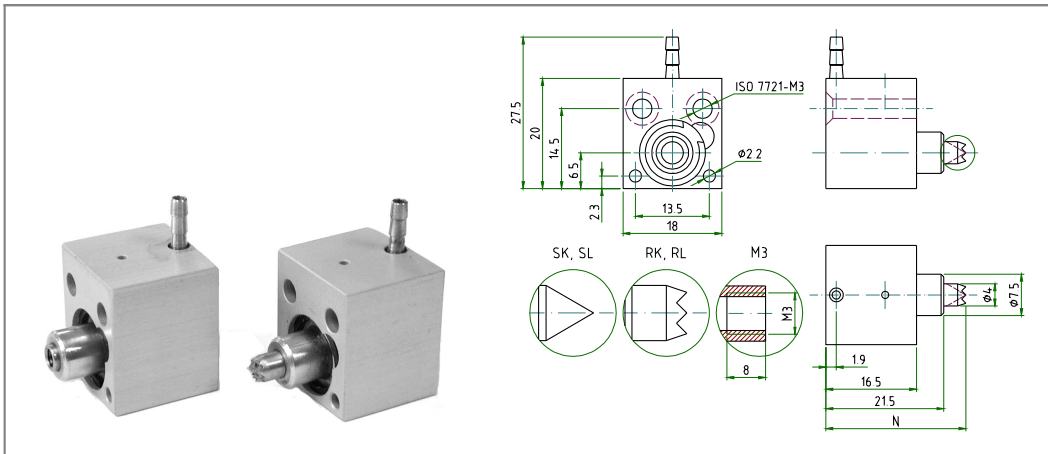


## Compact cylinder 12mm diameter

type AA12S-04-... , single acting



SPECIFICATION	
general	
construction	compact cylinder, pneumatic, single acting, spring return, end plate secured by C-clip
bore	12 mm piston diameter
stroke lengths	4 mm
operation	pneumatic, with spring return
connections	hose tails for PA or PU 2 mm ID
ambient temperature	-20°C to +80°C
fluid temperature	-20°C to +80°C
materials	body: anodised aluminium piston: brass (Ms58) cover: brass (Ms58) piston rod: stainless steel spring: steel seals: perbunan (NBR) hose tail: brass
cushioning	none
mounting	fixing holes in body
installation position	as required
magnetic sensors	none
pneumatic	
air	filtered, lubricated or non lubricated
pressure range	3 to 10 bar
attainable force	38 N at 6 bar
spring Return force	F1= 13 N, F2= 25 N (friction not taken into account)

type	article-nr.	piston rod	N	weight (approx. g)
AA12S-04-SK	<b>90 000 197</b>	pointed short	21.5	19
AA12S-04-SL	<b>90 000 198</b>	pointed long	25.5	19
AA12S-04-RK	<b>90 000 195</b>	serrated short	21.5	19
AA12S-04-RL	<b>90 000 196</b>	serrated long	25.5	19
AA12S-04-M3	<b>90 000 199</b>	M3 female thread	22.5	19

**NB:** It is not possible to handle heavy external objects with this product type