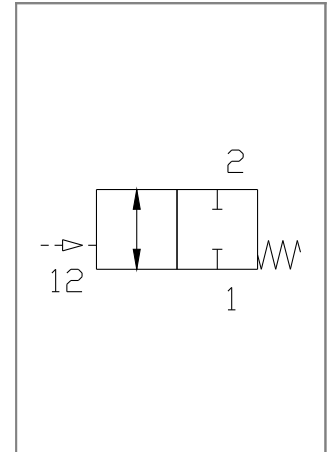
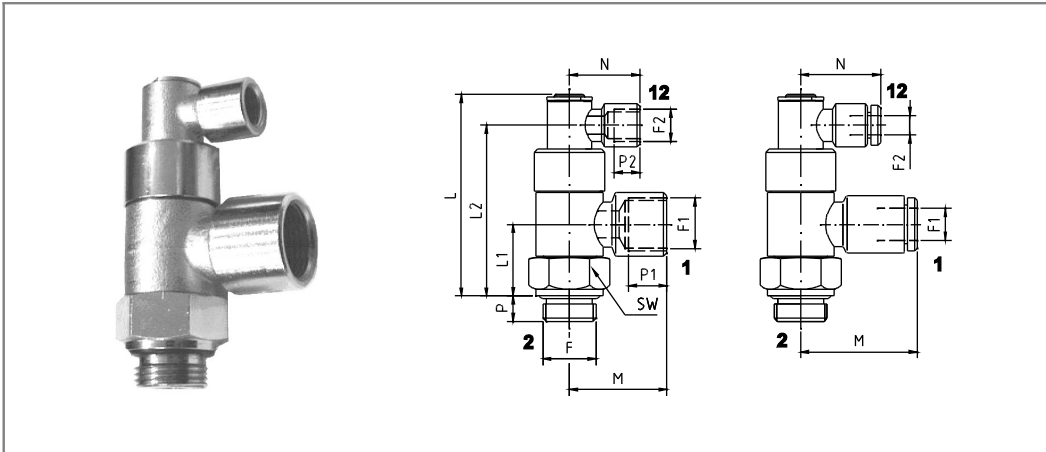
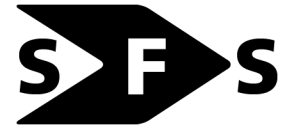


Stop-valve

pneumatic controlled

type HVP..., size G1/8" to G1/2"



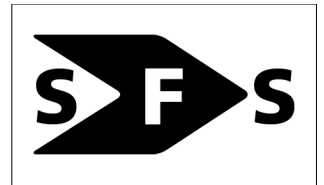
SPECIFICATION	
general	
construction	2/2-spool valve, normally closed (NC)
operator	pneumatic
return	spring return
connections	port 2: male thread BSP, port 1: female thread BSP or push in raccord port 12: female thread 1/8" BSP or push in raccord 4mm diameter
ambient temperature	-10°C to +70°C
fluid temperature	-10°C to +70°C
material	metal parts: brass nickel plated and stainless stell springs: stainless steel seals: perbunan (NBR)
installation position	in any position, ring pieces revolvable also if the valve is tightened
pneumatic	
fluid	neutral gazes, filtered, lubricated or non lubricated compressed air, other fluids on request
operating pressure	0 – 10bar
control pressure	see diagram

type	article-nr.	F	F1	F2	L	L1	L2	M	N	P	P1	P2	SW	weight (approx. g)
HVP111	90 000 115	G1/8 A	G1/8	G1/8	51.5	16	42	21	21	6	7	7	14	68
HVP1CA	90 000 139	G1/8 A	6	4				25	25		-	-		70
HVP221	90 000 116	G1/4 A	G1/4	G1/8	57.5	19.5	48	25	21	8	8	7	17	104
HVP2CA	90 000 140	G1/4 A	6	4				27.5	25		-	-		104
HVP2DA	90 000 141	G1/4 A	8	4				32	-		-	110		
HVP331	90 000 117	G3/8 A	G3/8	G1/8	63	22.5	53.5	31	21	8	10	7	22	150
HVP3DA	90 000 142	G3/8 A	8	4				31.5	25		-	-		145
HVP3EA	90 000 143	G3/8 A	10	4				36	-		-	155		
HVP441	90 000 144	G1/2 A	G1/2	G1/8	71.5	27	61.5	40	21	12	14	7	27	239
HVP4FA	90 000 145	G1/2 A	12	4				40.5	25		-	-		240

Stop-valve

pneumatic controlled

type HVP..., size G1/8" to G1/2"



size	DN [mm]	QN [l/min]	max. torque-moment [Nm]
1/8"	4.0	300	3.0
1/4"	5.6	700	7.0
3/8"	7.7	1200	9.0
1/2"	10.0	2100	15.0

Control pressure